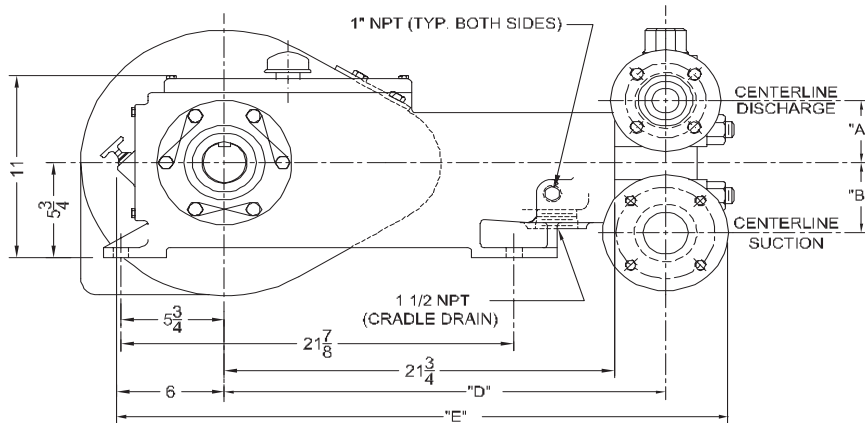
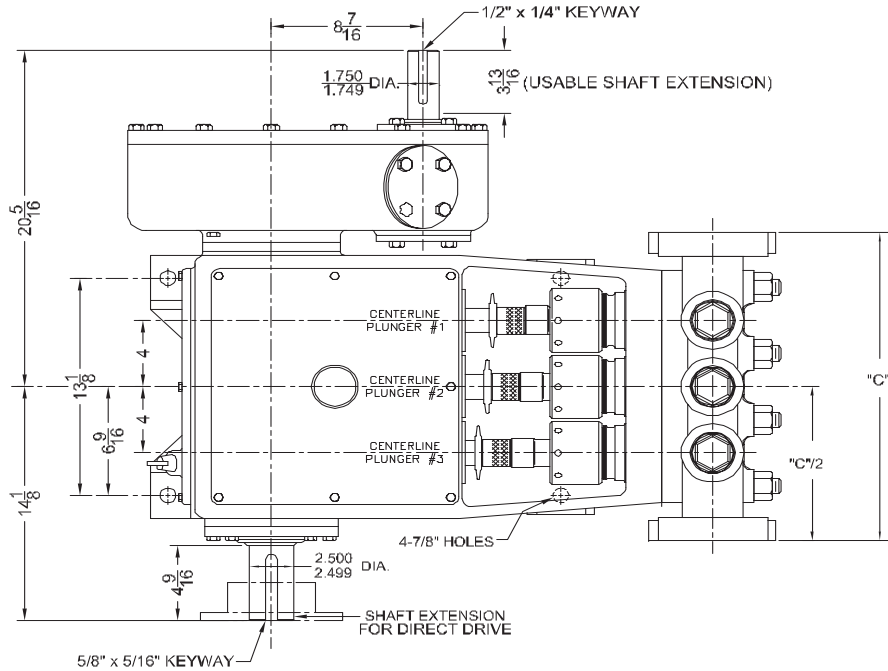


# 30T-2 Triplex Plunger Pump



## Specifications

### Pump Size

(maximum plunger size x stroke length in.(mm)  
 $2\frac{1}{4} \times 2$  (57.2 x 50.8)

**Rated bhp** at 500 rpm (kw): 30 (22.4)

**Rated plunger load** pounds(Kg): 3565 (1617)

**Maximum discharge pressure:** psi(kPa)

L model: 2000 (13,788)

H model: 5000 (34,470)

**Crankshaft extension:** in.(mm)

Diameter: 2.5/2.499 (63.5/63.4746)

Length: 4 9/16 (115.9)

Keyway (width x depth):

$5\frac{1}{8} \times 5\frac{1}{16}$  (15.88 x 7.94)

**Maximum recommended sheave**

in.(mm): 37.5 (952.5)

**Minimum recommended sheave**

in.(mm): 20 (508)

For larger sizes: **Contact Factory**

**Pinion shaft extension,**

if gear reducer is supplied in.(mm)

For belt or chain drive:

**Contact Factory**

For direct drive:

Diameter: 1.75/1.749 (44.5/44.425)

Length: 3 13/16 (96.8)

Keyway (width x depth):

$1\frac{1}{2} \times 1\frac{1}{4}$  (12.7 x 6.4)

**Accessory gear reduction unit ratio:**

3.50:1, 3.83:1, 4.2:1

**Oil Capacity** gallons (L)

Crankcase: 1.2 (4.5)

Gear Reducer: 2/3 (2.5)

**Weight,** pump only on

wood shipping skids pounds (Kg): 640 (290)

Gear reducer, approximate pounds (Kg):

300 (136.08)

Pump Model	Flange Connections		Dimensions in inches (mm)				
	Discharge Connection Sizes	Suction Connection Sizes	A	B	C	D	E
30T-2L Threaded	1 1/2 (38.10) FNPT	2 1/2 (63.5) FNPT	3 3/4	4 1/4	15 3/4	24 9/16	32 7/8
30T-2L Flanged	1 1/2 (38.10) API-2000 RJ	2 1/2 (63.5) ANSI-150 FF	3 3/4	4 1/4	18 1/4	24 9/16	34 1/16
30T-2H	1 (25.4) ANSI-2500 RJ	2 (50.8) ANSI-300 FF	3 5/8	4	17 1/2	24 5/16	33 9/16

# 30T-2 Triplex Plunger Pump

## Performance Data

PUMP	English Units					200 * RPM		300 RPM		350 RPM		400 RPM		450 RPM		500 RPM	
	Plunger Dia. In.	Plunger Area Sq. In.	BPD per RPM	GPM per RPM	Max. Press. PSI	BPD	GPM	BPD	GPM	BPD	GPM	BPD	GPM	BPD	GPM	BPD	GPM
30T-2L	2.250	3.9761	3.5410	0.1033	897	709	20.66	1063	30.99	1240	36.16	1417	41.32	1594	46.49	1771	51.65
	2.000	3.1416	2.7980	0.0816	1135	560	16.32	840	24.48	980	28.56	1120	32.64	1260	36.72	1399	40.80
	1.750	2.4053	2.1430	0.0625	1482	429	12.50	643	18.75	751	21.88	858	25.00	965	28.13	1072	31.25
	1.500	1.7671	1.5737	0.0459	2000	315	9.18	473	13.77	551	16.07	630	18.36	709	20.66	787	22.95
30T-2H	1.500	1.7671	1.5737	0.0459	2000	315	9.18	473	13.77	551	16.07	630	18.36	709	20.66	787	22.95
	1.375	1.4849	1.3234	0.0386	2401	265	7.72	398	11.58	464	13.51	530	15.44	596	17.37	662	19.30
	1.250	1.2272	1.0937	0.0319	2905	219	6.38	329	9.57	383	11.17	438	12.76	493	14.36	547	15.95
	1.125	0.9940	0.8846	0.0258	3586	177	5.16	266	7.74	310	9.03	354	10.32	399	11.61	443	12.90
	1.000	0.7854	0.6994	0.0204	4539	140	4.08	210	6.12	245	7.14	280	8.16	315	9.18	350	10.20
	0.938	0.6910	0.6137	0.0179	5000	123	3.58	185	5.37	215	6.27	246	7.16	277	8.06	307	8.95
Brake Horsepower Required						12.0		18.0		21.0		24		27		30	

PUMP	Metric Units					200 * RPM		300 RPM		350 RPM		400 RPM		450 RPM		500 RPM	
	Plunger Dia. mm	Plunger Area cm <sup>2</sup>	M <sup>3</sup> /Hr per RPM	L/Sec. per RPM	Max. Press. kPa	M <sup>3</sup> /Hr	L/Sec.	M <sup>3</sup> /Hr	L/Sec.	M <sup>3</sup> /Hr	L/Sec.	M <sup>3</sup> /Hr	L/Sec.	M <sup>3</sup> /Hr	L/Sec.	M <sup>3</sup> /Hr	L/Sec.
30T-2L	57	25.652	0.0235	0.0065	6185	4.69	1.30	7.04	1.96	8.21	2.28	9.38	2.61	10.56	2.93	11.73	3.26
	51	20.268	0.0185	0.0051	7826	3.71	1.03	5.56	1.54	6.49	1.80	7.41	2.06	8.34	2.32	9.27	2.57
	44	15.518	0.0142	0.0039	10218	2.84	0.79	4.26	1.18	4.97	1.38	5.68	1.58	6.39	1.77	7.10	1.97
	38	11.401	0.0104	0.0029	13790	2.08	0.58	3.13	0.87	3.65	1.01	4.17	1.16	4.69	1.30	5.21	1.45
30T-2H	38	11.401	0.0104	0.0029	13790	2.08	0.58	3.13	0.87	3.65	1.01	4.17	1.16	4.69	1.30	5.21	1.45
	35	9.580	0.0088	0.0024	16554	1.75	0.49	2.63	0.73	3.07	0.85	3.51	0.97	3.94	1.10	4.38	1.22
	32	7.917	0.0072	0.0020	20029	1.45	0.40	2.17	0.60	2.54	0.70	2.90	0.81	3.26	0.91	3.62	1.01
	29	6.413	0.0059	0.0016	24725	1.17	0.33	1.76	0.49	2.05	0.57	2.34	0.65	2.64	0.73	2.93	0.81
	25	5.067	0.0046	0.0013	31295	0.93	0.26	1.39	0.39	1.62	0.45	1.85	0.51	2.08	0.58	2.32	0.64
	24	4.458	0.0041	0.0011	34474	0.81	0.23	1.22	0.34	1.42	0.40	1.63	0.45	1.83	0.51	2.03	0.56
Kilowatts Required						8.9		13.4		15.7		18		20		22	

Volumetric Rate is based on 100% Volumetric Efficiency. Brake Horsepower/Kilowatts Required is based on 90% Mechanical Efficiency. \* For operation below 200 RPM, auxiliary lubrication system required. Not all plunger sizes are shown. Contact National-Oilwell for additional information.

The information and data on this sheet is accurate to the best of our knowledge and belief, but are intended for general information only. Applications suggested for the materials are described only to help readers make their own evaluations and decisions, and are neither guarantees nor to be construed as express or implied warranties of suitability for these or other applications. National Oilwell makes no warranty either express or implied beyond that stipulated in National Oilwell Standard Terms and Conditions of Sale.